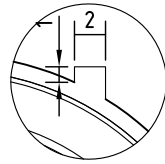
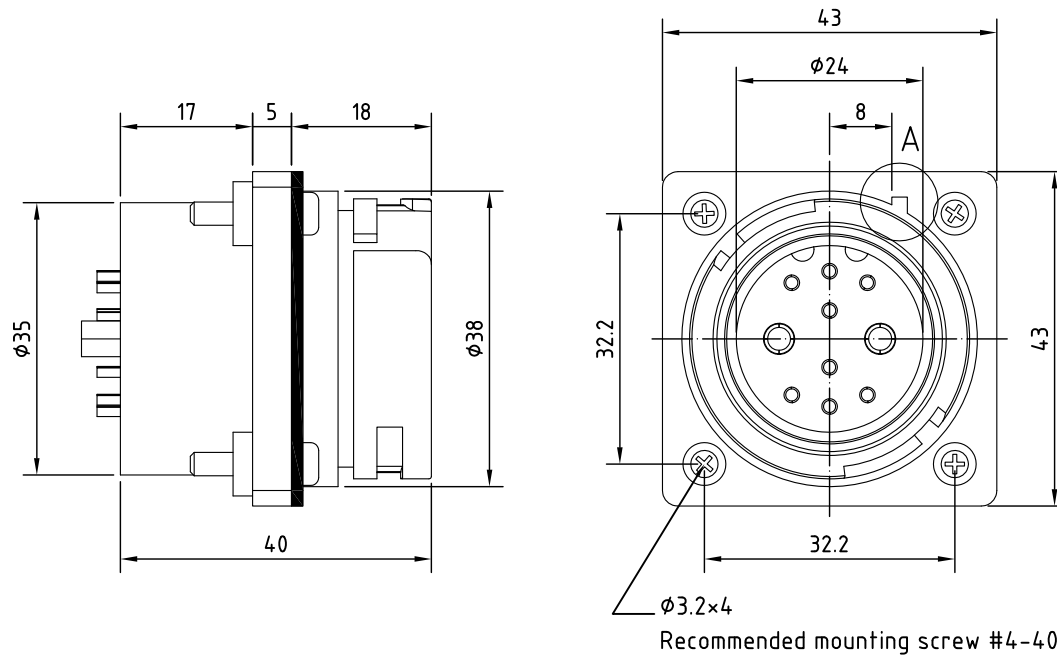


REV.	Description	Date
1	upgrade drawing	2011/11/28
2	spec. revise	2012/10/31
3	rated voltage, contact resistance revise	2016/4/19
4	rated current revise	2018/10/5



A SECTION



Specification of connector

- Locking system : Twist Lock
- Shell protection : IP67
- Rated voltage : 360V
- Rated current : Large pin 35A
Small pin 10A
- Contact resistance : Large pin <5mΩ
Small pin <30mΩ

RoHS
TOLERANCE X±0.5 X.X±0.3

5	Pin	Brass	Gold Ptd.
4	Setscrew	SUS #4-40	
3	Nut	SUS #4-40	
2	Pad	Rubber	
1	Body	PA	
Item	Description	Material	Treat & Remark



Unicable Co., Ltd. 國陽電業有限公司

5F., No. 111-33, Sec. 4, San Ho Road., San Chung Dist., New Taipei City, Taiwan, R.O.C.
http://www.unicable.com.tw TEL:+886-2-2286-2122 FAX:+886-2-2286-1010

DATE	2018/10/5	PART NO.	UT-SD257F1-XP
DWN	GINA	REV.	4
CHK			
ITEM	High Power	UNIT	MM